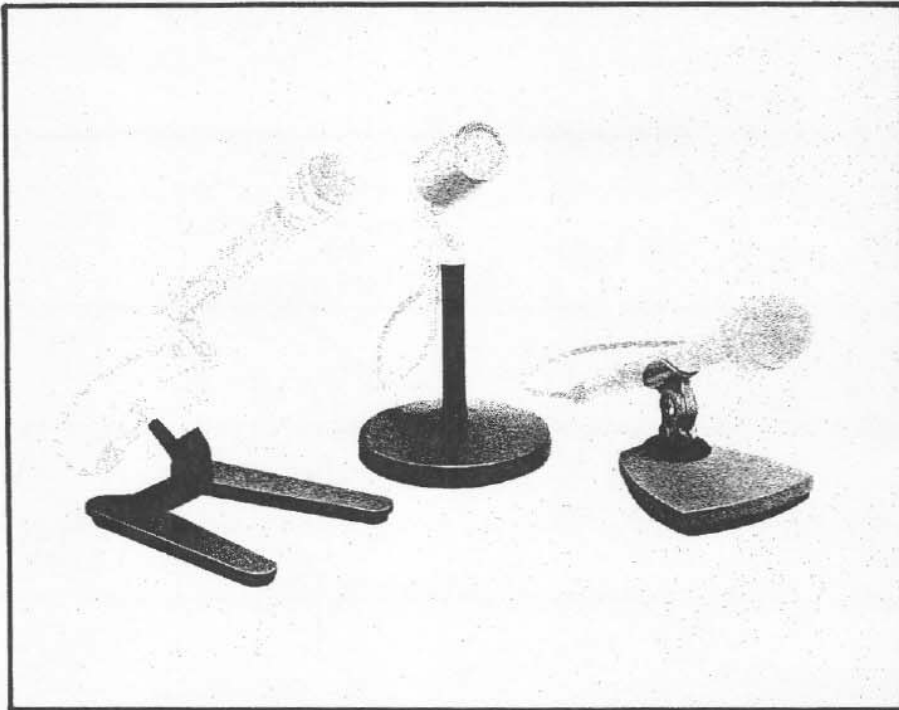


ElectroVoice®

a MARK IV company



Model 400/422/423A Desk Stands

SPECIFICATIONS:

Model 400

Dimensions:

136 mm (5.36 in.) wide
163 mm (6.4 in.) long
56.6 mm (2.23 in.) high

Material:

Steel

Finish:

Non-reflective gray

Weight:

453 g (1 lb)

Accessories Furnished:

Adapter with 5/8"–27 thread
(will fit all EV microphone
clamps and microphones fitted
with switch studs)

Replacement Adapter:

EV Part No. 62952-AD

Model 422 Desk Stand

Dimensions:

108 mm (4¼ in.) wide
114 mm (4½ in.) long
25.4 mm (1 in.) high

Material:

Die-cast zinc

Finish:

Non-reflective gray

Weight:

0.8 kg (27 ounces)

Clamp Adapter For:

310, 312, 323 series clamps for
19 mm (¾ in.) dia. microphones

Replacement Adapter:

No. 77606
For 310, 312, 323 series clamps

Model 423A

Base Dimensions,

Height:

25.4 mm (1 in.)

Diameter:

130 mm (5½ in.)

Stem Length:

127 mm (5 in.)

Stand Threads:

5/8"–27

Material,

Base:

Die-cast zinc

Stem:

Steel tubing

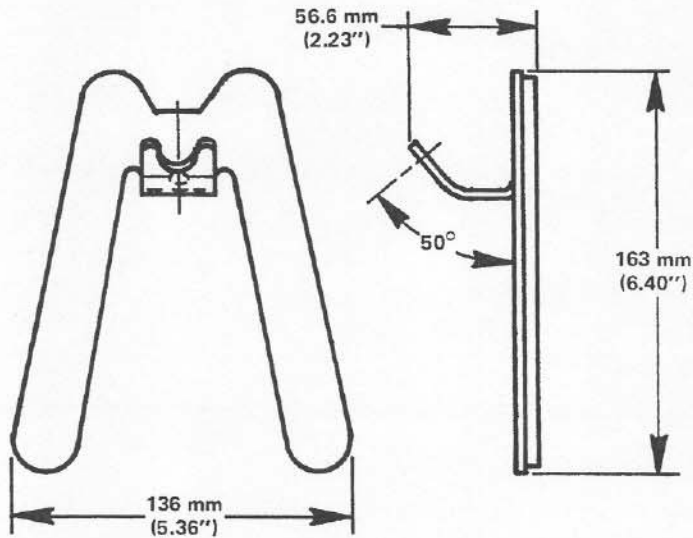
Weight:

453 kg (1 lb)

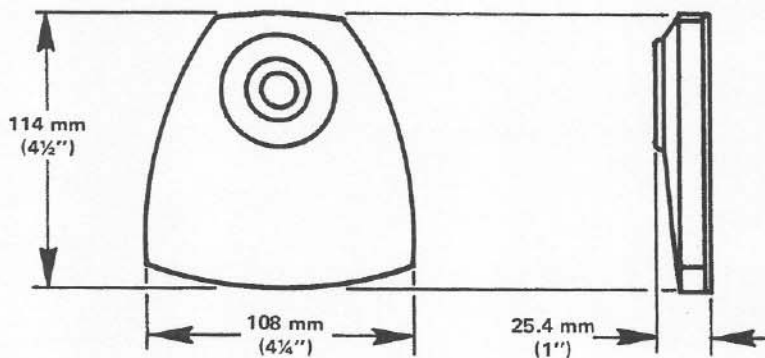
Finish:

Non-reflective gray

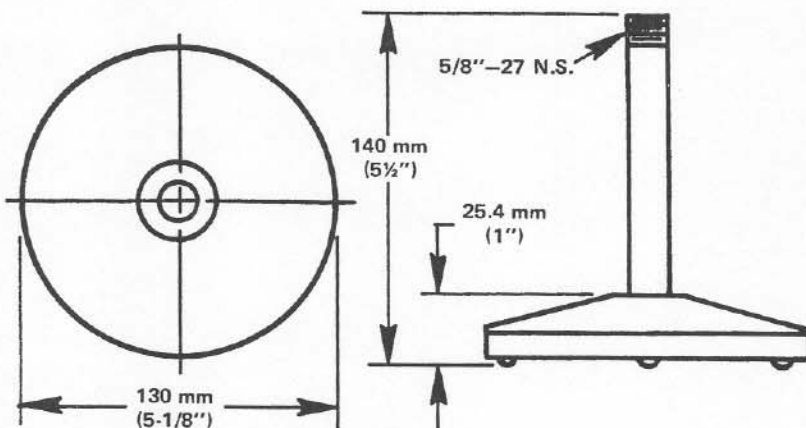
DESCRIPTION AND APPLICATIONS



MODEL 400



MODEL 422



MODEL 423A

Model 400 — The Model 400 is a modern design microphone desk stand intended to be used with most microphones whether clamp mounted or fitted with a switch stud. The Model 400 stand, finished in non-reflecting gray, is made from formed steel with skid resistant foam rubber pads on the base. Connection to the microphone is made with a threaded adapter which will accept any microphone with a $\frac{5}{8}$ "—27 thread.

Model 422 — The Model 422 is a specially designed "low profile" microphone desk stand. Created particularly for "on camera" use, the gray finish is non-reflective. A unique snap-in neoprene clamp adapter provides excellent shock isolation.

Model 423A — The Model 423A comprises a five-inch stem riser and a sturdy, round die-cast base which rests firmly on rubber base buttons. The stand, finished in non-reflecting gray, is made for microphones with a $\frac{5}{8}$ "—27 thread connection.

Specifications subject to change without notice.



ELECTRO-VOICE, INC., 600 Cecil Street, Buchanan, Michigan 49107

MANUFACTURING PLANTS AT ■ BUCHANAN, MI ■ NEWPORT, TN ■ SEVIERVILLE, TN ■ REDMOND, WA ■ GANANOQUE, ONT.
©Electro-Voice, Inc. 1987 ■ Litho in U.S.A. Part Number 530792—721

a MARK IV company